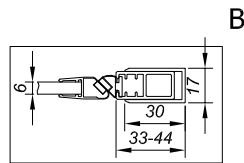
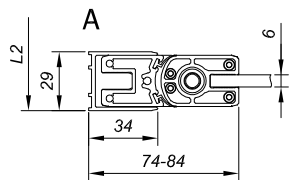
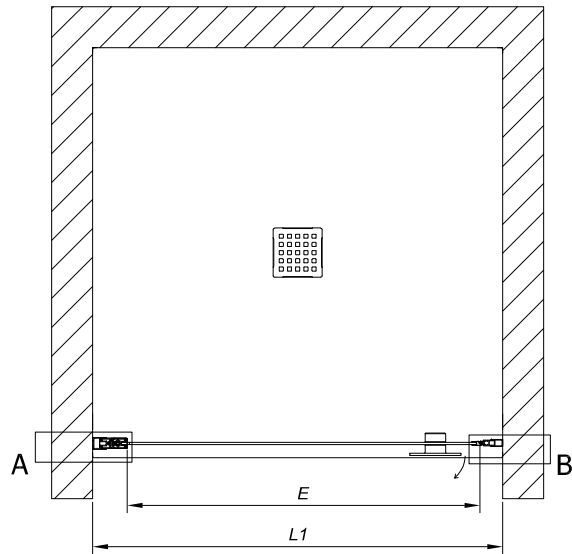


kolpa-san *SHOWER ENCLOSURE ANDROMEDA*
DUSCHKABINE ANDROMEDA

1/2

	L 1 (mm)	E (mm)
N 80	780-800	670
N 90	880-900	770
N 100	980-1000	870

N 80, 90, 100 UNI



kolpa-san *SHOWER ENCLOSURE ANDROMEDA*
DUSCHKABINE ANDROMEDA

2/2

N 80, 90, 100 UNI

